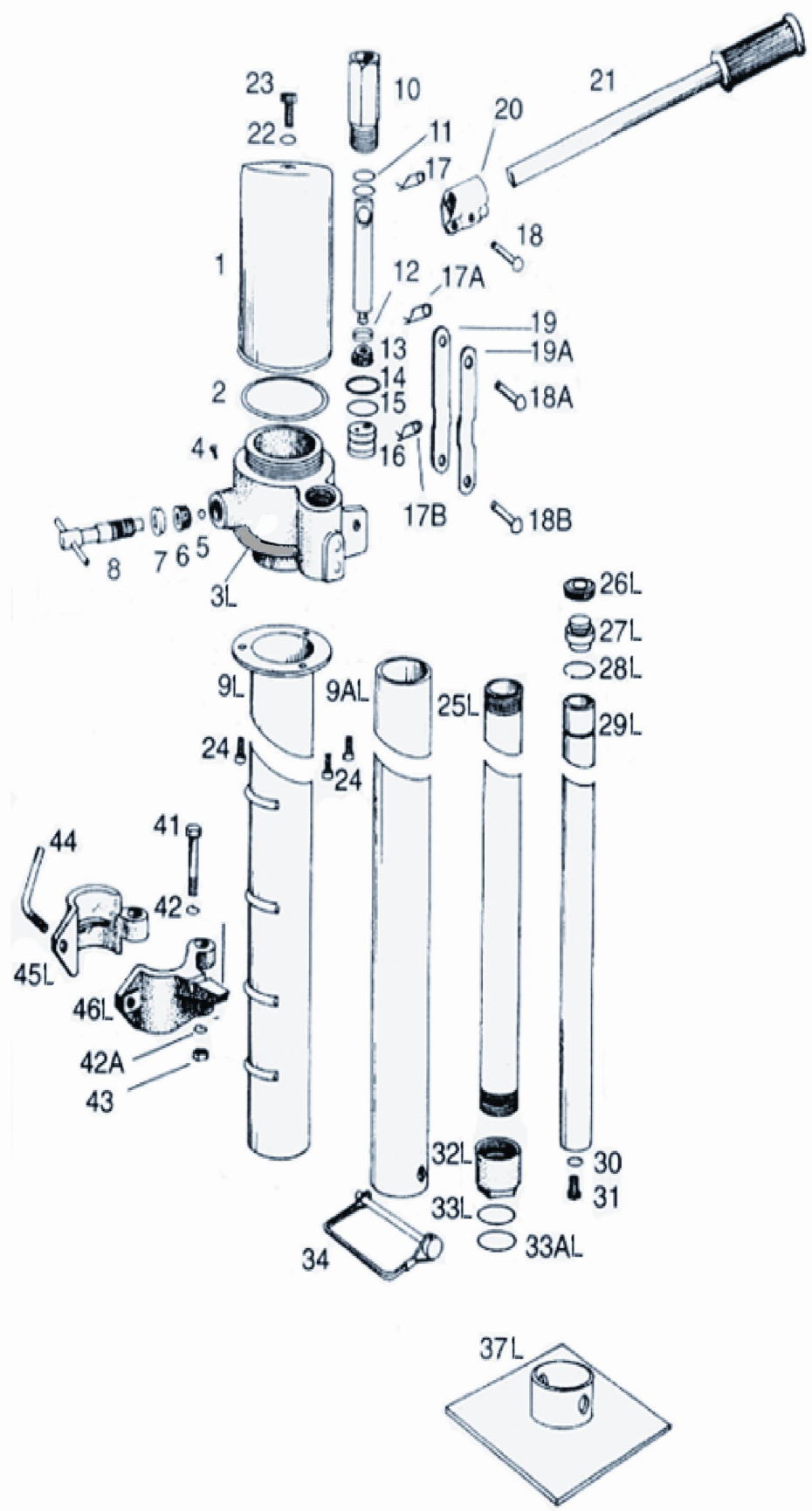


TRAIL-A-MATE Mark II PARTS LIST



- 1 OIL RESERVOIR
- 2 O-RING
- 3L PUMP HOUSING
- 4 SCREW
- 5 BALL BEARING
- 6 SEAL
- 7 SEAL COVER
- 8 RELEASE VALVE
- 9L OUTER SHAFT COVER
- 9AL INNER SHAFT COVER
- 10 PISTON HOUSING
- 10A PISTON
- 11 PISTON SEALS
- 12 COLLAR
- 13 SEAL
- 14 O-RING
- 15 O-RING
- 16 CHECK VALVE
- 17.17A.17B SNAP PINS
- 18.18A.18B LINKAGE PINS
- 19.19A LINKAGES
- 20 JACK HANDLE LINKAGE
- 21 PUMP HANDLE
- 22 O-RING
- 23 AIR RELEASE VALVE
- 24 ALLEN KEY STUDS (3)
- 25L SHAFT HOUSING
- 26L SEAL
- 27L SEAL COVER
- 28L COLLAR
- 29L MAIN SHAFT
- 30 SPRING WASHER
- 31 BOLT
- 32L SHAFT COLLAR
- 33L.33AL SHAFT SEALS
- 34 LOCATING PIN
- 37L BASE PLATE
- 41 BOLT
- 42.42A SPRING WASHERS
- 43 NUT
- 44 LIFTING CLAMP HANDLE
- 45L LIFTING CLAMP
- 46L LIFTING SADDLE